



# Electric range with Gastronorm oven



## CE 1051 E. Electric cooker, 5 rings, 1 Gastronorm 1/1 electric oven.

- Body and front in stainless steel.
- Stainless steel legs with adjustable feet. Height: 150/175 mm.
- Total power: 12.7 kW.
- Electrical supply: three-phase 400 V + N + E
- 400V without N phase as an option - Additional cost.

### Hob

- Dimensions: 1000 x 650 mm.
- 2 x 1.5 kW hotplates, Ø 145 mm - Ø 180 mm.
- 2 x 2 kW hotplates, Ø 180 mm - Ø 220 mm.
- 1 x 2.6 kW hotplate, Ø 220 mm.

### Storage cupboard.

### Oven

- Interior dimensions: W 530 - D 400 - H 305 mm.
- Power of heating elements:  
Base + periphery roof: element: 3.1 kW - Grill: 2.85 kW.
- Thermostat.
- Standard equipment: 1 oven rack,.

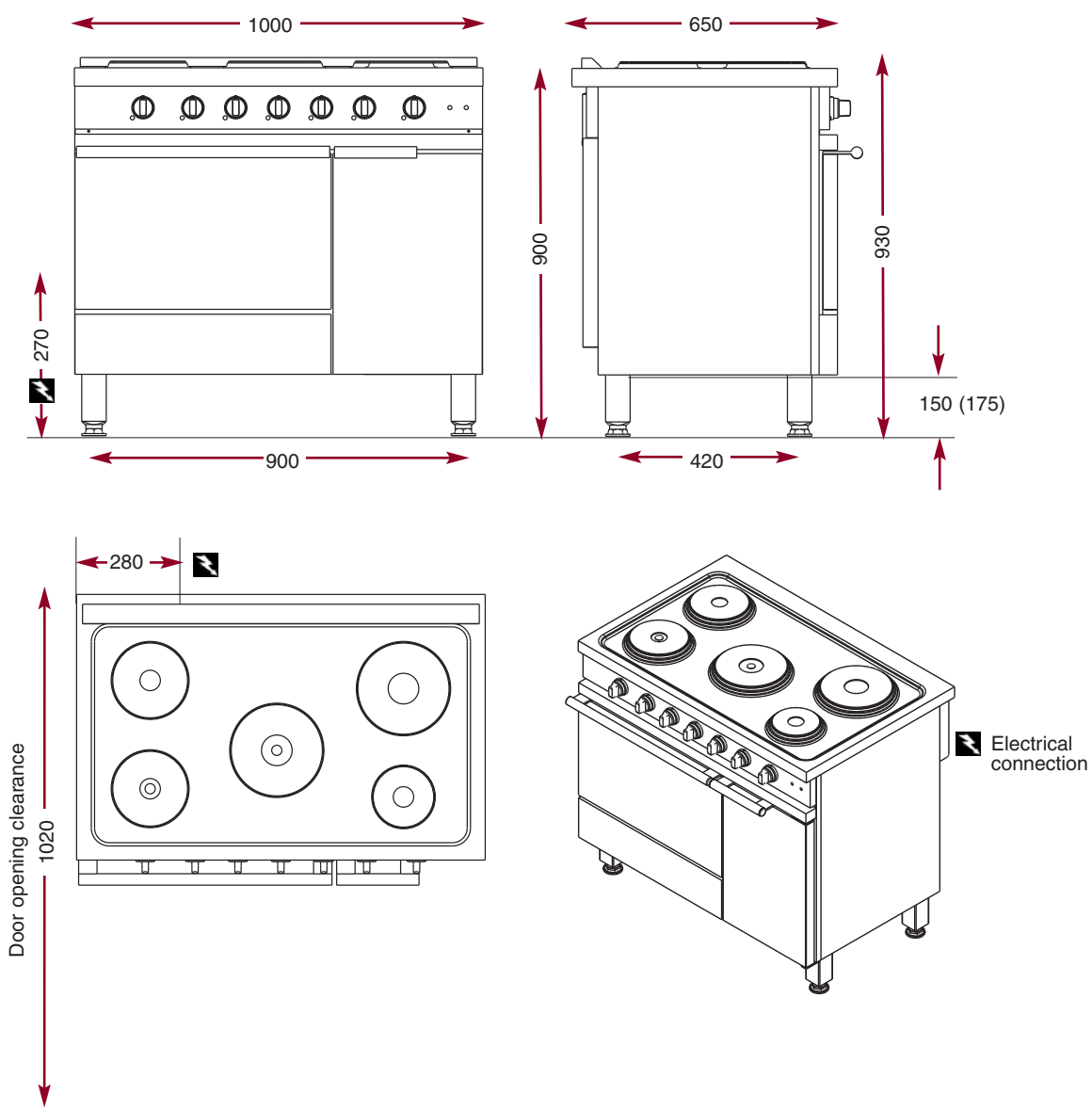
**CE 1051 E**      W 1000 - D 650 - H 900

### Variations:

<b>OVEN</b>	(instead of static electric oven)
<b>SFCT 530</b>	1 convection oven (3.4 kW)
<b>SGE 530</b>	Electric grill (in convection oven)
<b>ET 001</b>	Warming cupboard
<b>SAM AG</b>	Reversed cupboard position (on left)
<b>ECH 400</b>	Shelf supports for storing Gastronorm 1/1 dishes

# 5 rings, 1 Gastronorm 1/1 electric oven.

CE 1051 E



The Chef's Choice.

N° 22 - 2